



Level



Pressure



Flow



Temperature

Liquid
Analysis

Registration

Systems
Components

Services



Solutions

Technical Information

Liquisys M CPM223/253

pH/ORP Measurement

Transmitter for analog and digital glass and ISFET sensors



The modular design of the Liquisys M CPM223/253 allows easy adaption of the transmitter to a variety of customer requirements. Starting with the basic version for "measurement and alarm generation", the transmitter can be equipped with additional software and hardware modules for special applications. These modules can also be retrofitted as required.

Application

- Effluent treatment
- Neutralization
- Detoxication (electroplating)
- Water treatment
- Water monitoring

Your benefits

- Memosens technology
- Field or panel-mounted housing
- Universal application
- Simple handling
 - Logically arranged menu structure
 - Large two-line display
 - Ultrasimple two-point calibration
- Safe operation
 - Overvoltage (lightning) protection
 - Direct access for manual contact control
 - Calibration plausibility check
 - User-defined alarm configuration

The basic unit can be extended with:

- Additional 2 or 4 contacts for use as:
 - Limit contacts (also for temperature)
 - P(ID) controller
 - Timer for simple rinse processes
 - Complete cleaning with Chemoclean
 - Current input
- Plus package:
 - User defined current output characteristics
 - Automatic cleaning trigger on alarm or limit violation
 - Sensor Check System for pH glass and reference
 - Live check of sensor
 - Special neutralization controller
- HART or PROFIBUS-PA/-DP
- 2nd current output for temperature, pH/ORP or continuous controller

Function and system design

Features of the basic version

pH and ORP value measurement

This is selected via the menu. During measurement, the value measured can be displayed in the other measuring mode (e.g. pH - mV or ORP % - ORP mV). The temperature is displayed at the same time or, if desired, not shown at all.

Calibration

pH electrodes are normally calibrated with the same pH values. Therefore the transmitter presents the settings from the **previous** calibration as defaults for the next calibration. If the buffer solutions are interchanged by accident (e.g. pH 4 buffer first, then pH 7 buffer instead of pH 7 first and then pH 4) the **plausibility check** ensures that the calibration is accepted anyway.

Configuration

Different alarms are required depending on application and operator. Therefore the transmitter permits independent **configuration of the alarm contact and error current** for each individual error. Unnecessary or undesirable alarms can be suppressed in this manner. **Up to four contacts** can be used as limit contacts (also for temperature) to implement a P(ID) controller or for cleaning functions.

Direct **manual operation of the contacts** (bypassing the menu) provides quick access to limit, control or cleaning contacts, permitting speedy correction of deviations.

Additional functions of the plus package

Current output

In order to output wide measuring ranges while still achieving a high resolution in specific ranges, the **current output** can be configured as required via a table. This permits **bilinear** or **quasi-logarithmic** curves, etc.

Sensor-Check-System (SCS)

The sensor check system alerts to deviations of the pH glass impedance or reference impedance (analog sensors only) from the normal range, thus indicating possible failure due to pH electrode blocking or damage. In addition, the SCS detects glass breakage of glass electrodes and leakages of ISFET sensors.

Live-check

The live check issues an alarm when the sensor signal does not change over a defined period of time. This may be caused by blocking, passivation, separation from the process, etc.

Neutralization controller

A special control response that cannot be handled adequately by a P(ID) controller is required to neutralize solutions. For this reason, the transmitter provides a special neutralization controller function by combining two P(ID) controllers.

Current input

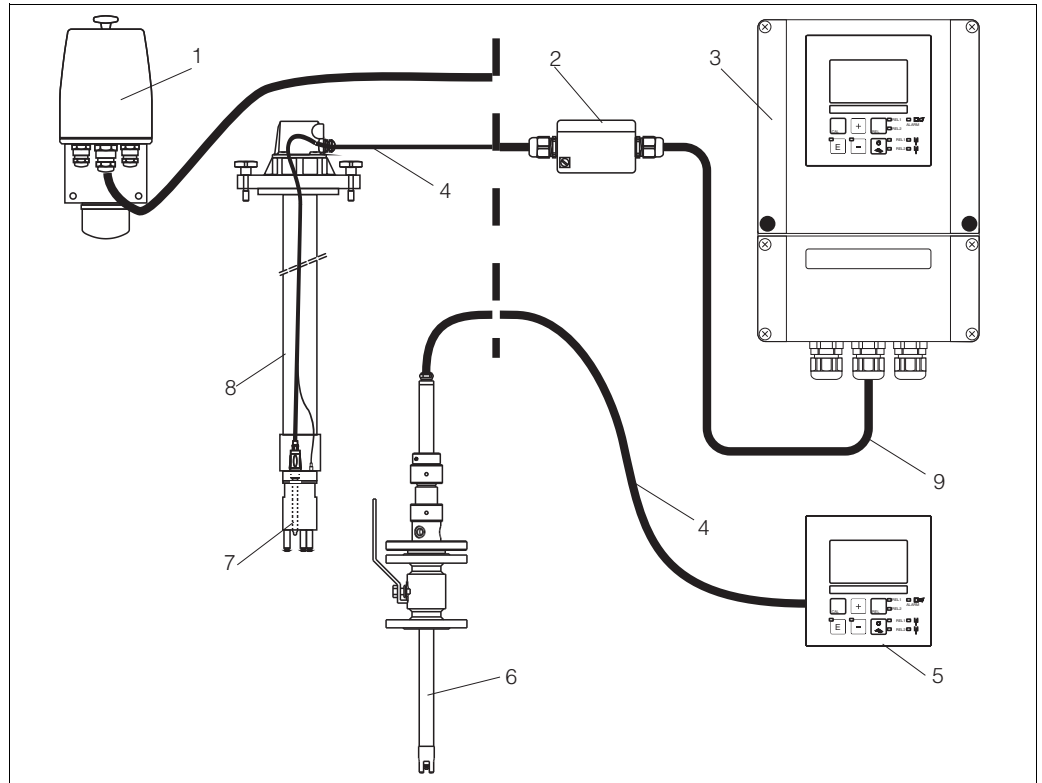
The current input of the transmitter allows two different applications: controller shut-down in case of lower flow rate violation or total failure in the main flow as well as feedforward control. Both functions are also combinable.

Measuring system

A complete measuring systems comprises:

- The transmitter Liquisys M CPM223 or CPM253
- A pH/ORP electrode with or without an integrated temperature sensor
- An immersible, flow or retractable assembly
- A measuring cable(e.g. CPK9)

Options: extension cable, junction box VBA or VBM



Complete measuring system Liquisys M CPM223/253

- | | | | |
|---|---------------------------|---|--|
| 1 | Flow assembly CPA250 | 6 | Retractable assembly Cleanfit W CPA450 |
| 2 | Junction box VBA | 7 | Electrode, e.g. Orbisint CPS11 |
| 3 | Liquisys M CPM253 | 8 | Immersion assembly CPA111 |
| 4 | Measuring cable e.g. CPK9 | 9 | Extension cable |
| 5 | Liquisys M CPM223 | | |

a0007781

Input

Measured variables	pH (analog or digital sensors) ORP Temperature	
Measuring range	pH: ORP: Temperature: Pt 100 Pt 1000 (versions IS / PS) NTC 30K (versions IS / PS)	-2 to 16 -1500 to +1500 mV / 0 to 100 % -50 to +150 °C (-58 to +302 °F) -50 to +150 °C (-58 to +302 °F) -20 to +100 °C (-4 to +212 °F)
Input resistance	> 10 ¹² Ω (for nominal operating conditions) for standard sensors	
Cable specification	Length of cable (analog): Length of cable (digital):	max. 50 m (164 ft) max. 100 m (328 ft)
Binary inputs	Voltage: Power consumption:	10 to 50 V max. 10 mA
Current input	4 to 20 mA, galvanically separated Load: 260 Ω at 20 mA (voltage drop 5.2 V)	

Output

Output signal 0/4 to 20 mA, galvanically separated, active

HART	
Signal coding	Frequency Shift Keying (FSK) + 0.5 mA via current output signal
Data transfer rate	1200 Baud
Galvanic isolation	yes

PROFIBUS PA	
Signal coding	Manchester Bus Powered (MBP)
Data transfer rate	31.25 kBit/s, voltage mode
Galvanic isolation	yes (IO-Module)

PROFIBUS DP	
Signal coding	RS485
Data transfer rate	9.6 kBd, 19.2 kBd, 93.75 kBd, 187.5 kBd, 500 kBd, 1.5 MBd
Galvanic isolation	yes (IO-Module)

Signal on alarm 2.4 or 22 mA

Load maximum 500 Ω

Output range	pH:	adjustable, min. Δ 1 pH
	ORP:	
	absolute:	adjustable, min. Δ 50 mV
	relative:	fixed, 0 to 100 %
	Temperature:	adjustable, Δ 10 to Δ 100 % of upper range value
Resolution	max. 700 digits/mA	
Min. distance for 0 / 4 to 20 mA signal	10% of measuring range	
Isolation voltage	max. 350 V _{RMS} /500 V DC	
Overvoltage protection	according to EN 61000-4-5	
Auxiliary voltage output	Output voltage:	15 V \pm 0.6
	Output current:	max. 10 mA
Contact outputs	Switching current with ohmic load (cos φ = 1):	max. 2 A
	Switching current with inductive load (cos φ = 0.4):	max. 2 A
	Switching voltage:	max. 250 V AC, 30 V DC
	Switching power with ohmic load (cos φ = 1):	max. 500 VA AC, 60 W DC
	Switching power with inductive load (cos φ = 0.4):	max. 500 VA AC, 60 W DC
Limit contactor	Pickup/dropout delay:	0 to 2000 s
Controller	Function (adjustable):	pulse length/pulse frequency controller
	Controller response:	PID
	Control gain K_p :	0.01 to 20.00
	Integral action time T_n :	0.0 to 999.9 min
	Derivative action time T_v :	0.0 to 999.9 min
	Period for pulse length controller:	0.5 to 999.9 s
	Frequency for pulse frequency controller:	60 to 180 min ⁻¹
Basic load:	0 to 40% of max. set value	
Alarm	Function (selectable):	latching / momentary contact
	Alarm threshold adjustment range:	pH / temperature: complete measuring range
	Alarm delay:	0 to 2000 s 0 to 2000 min

Protocol specific data

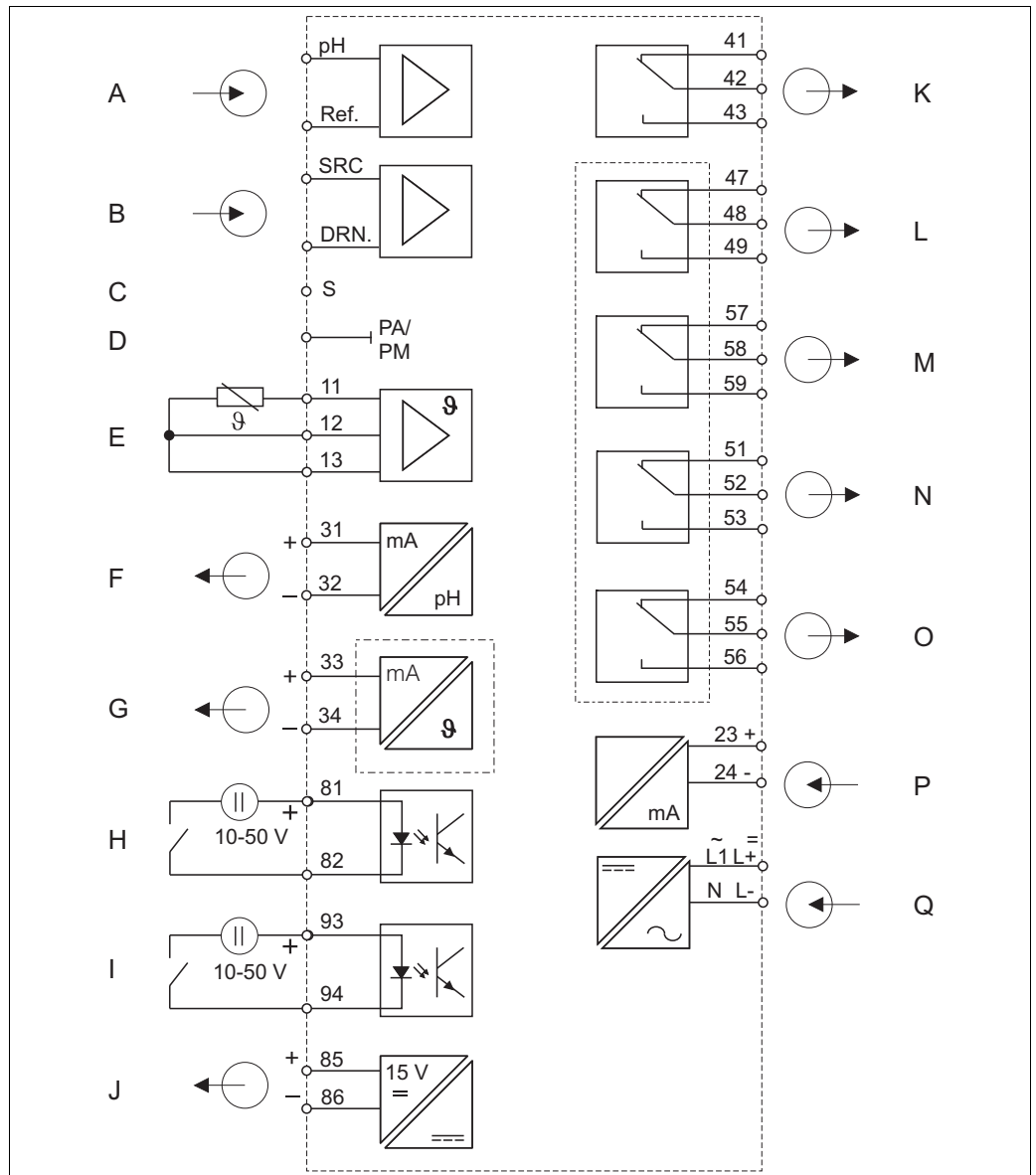
HART	
Manufacturer ID	11 _h
Device type code	0091 _h
Transmitter specific revision	0001 _h
HART specification	5.0
DD files	www.products.endress.com/profibus
Load HART	250 Ω
Device variables	None (dynamic variables PV, SV, only)
Features supported	-

PROFIBUS PA	
Manufacturer ID	11 _h
Ident number	1516 _h
Device revision	11 _h
Profile version	2.0
GSD files	www.products.endress.com/profibus
GSD file version	
Output values	Main value, temperature value
Input values	Display value of PLC
Features supported	Device locking: The device can be locked by hardware or software.

PROFIBUS DP	
Manufacturer ID	11 _h
Ident number	1520 _h
Profile version	2.0
GSD files	www.products.endress.com/profibus
GSD file version	
Output values	Main value, temperature value
Input values	Display value of PLC
Features supported	Device locking: The device can be locked by hardware or software.

Power supply

Electrical connection of analog sensors



Electrical connection Liquisys M

A Standard sensor

B ISFET sensor

C Outer screen connection for glass electrodes

D Potential matching

E Temperature sensor

F Signal output 1 pH/ORP

G Signal output 2 temperature, pH/ORP or controller P

H Binary input 1 (Hold)

I Binary input 2 (Chemoclean)

J Auxiliary voltage output

K Alarm (contact position currentless)

L Relay 1 (contact position currentless)

M Relay 2 (contact position currentless)

N Relay 3 (contact position currentless)

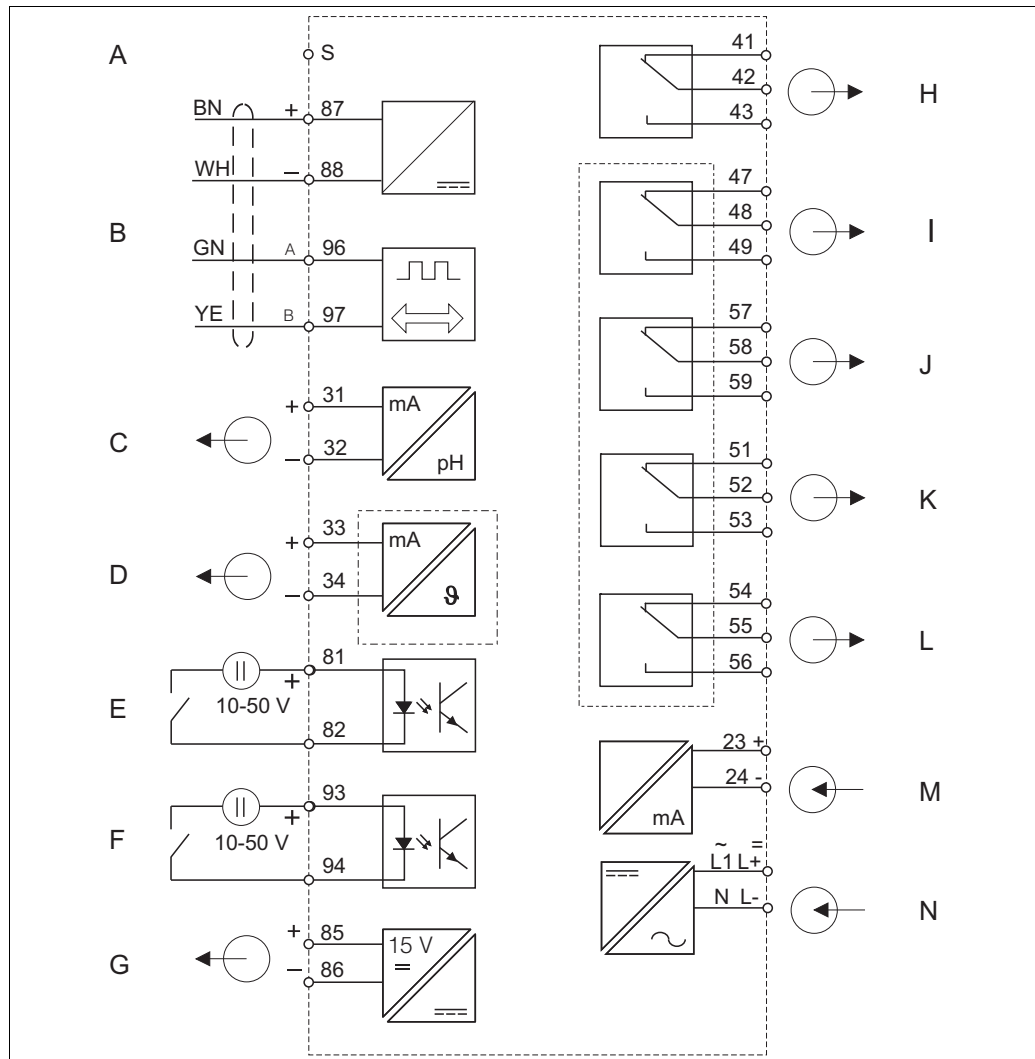
O Relay 4 (contact position currentless)

P Current input 4 to 20 mA

Q Power supply

#0007753

Electrical connection of Memosens sensors

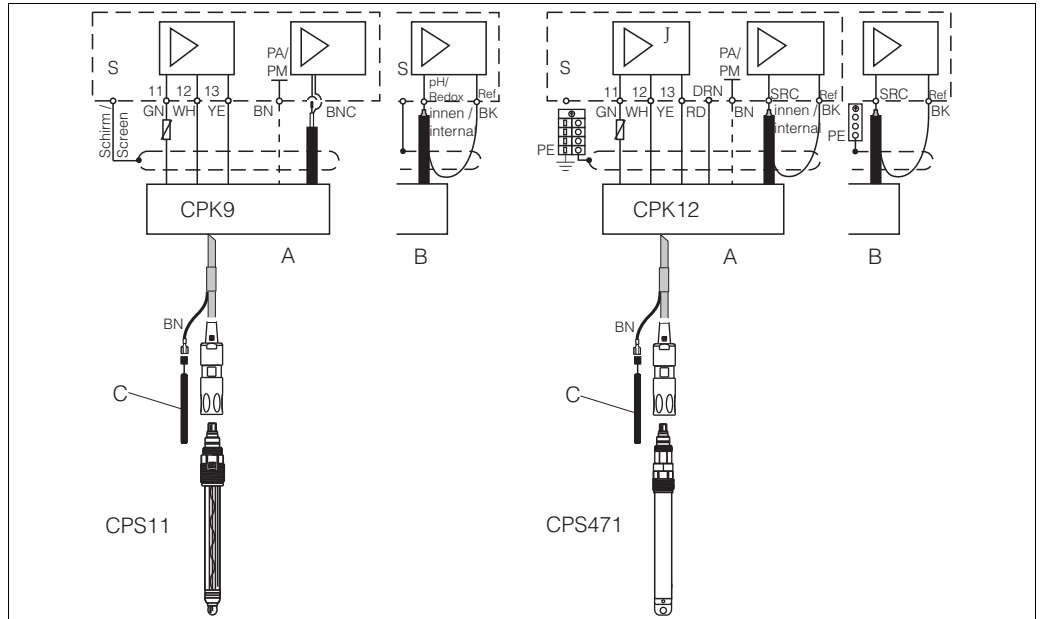


Transmitter electrical connection with Memosens technology

- | | | | |
|---|---|---|--|
| A | Screen | H | Alarm (contact position currentless) |
| B | Sensor | I | Relay 1 (contact position currentless) |
| C | Signal output 1 pH/redox | J | Relay 2 (contact position currentless) |
| D | Signal output 2 temperature, pH/redox or controller | K | Relay 3 (contact position currentless) |
| E | Binary input 1 (Hold) | L | Relay 4 (contact position currentless) |
| F | Binary input 2 (Chemoclean) | M | Current input 4 to 20 mA |
| G | Auxiliary voltage output | N | Power supply |

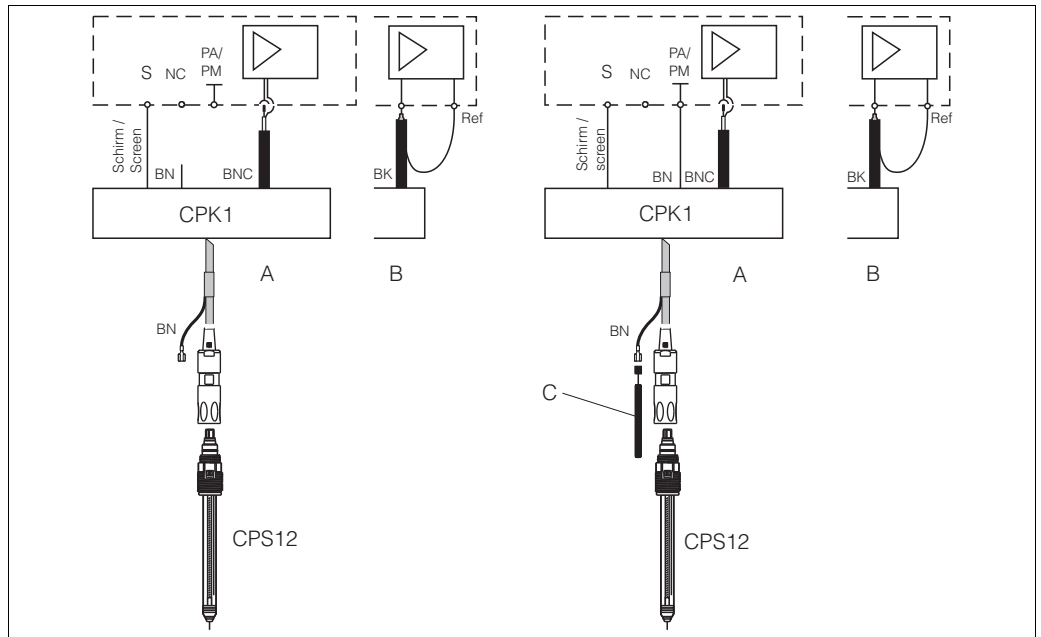
Sensor cable

The pH and ORP electrodes are connected using special terminated and shielded multicore cables. The measuring cable can be extended with a junction box and an extension cable. Termination instructions are supplied with the measuring cable.



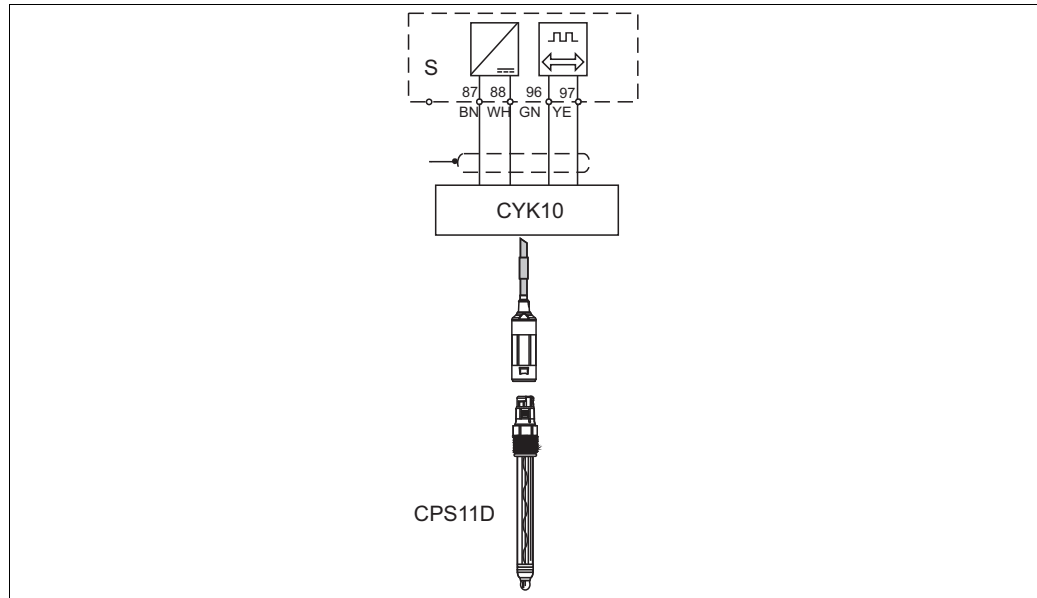
Connection CPS11 with CPK9 and CPS471 with CPK12 to Liquisys M

- A Panel-mounted instrument
- B Field instrument
- C Potential matching PM for symmetrical connection



Unsymmetrical and symmetrical connection of ORP electrodes to Liquisys M

- A Panel-mounted instrument
- B Field instrument
- C Potential matching PM for symmetrical connection



Connection of digital sensor CPS11D with CYK10

40007773

Supply voltage Depending on ordered version:
 100/115/230 V AC +10/-15 %, 48 to 62 Hz
 24 V AC/DC +20/-15 %

Fieldbus connection

HART	
Supply voltage	n/a, active current outputs
Integrated reverse voltage protection	n/a, active current outputs

PROFIBUS PA	
Supply voltage	9 V to 32 V, max. 35 V
Polarity sensitive	no
FISCO/FNICO compliant acc. to IEC 60079-27	no

PROFIBUS DP	
Supply voltage	9 V to 32 V, max. 35 V
Polarity sensitive	n/a
FISCO/FNICO compliant acc. to IEC 60079-27	no

Power consumption max. 7.5 VA

Mains protection Fine-wire fuse, medium-slow blow 250 V/3.15 A

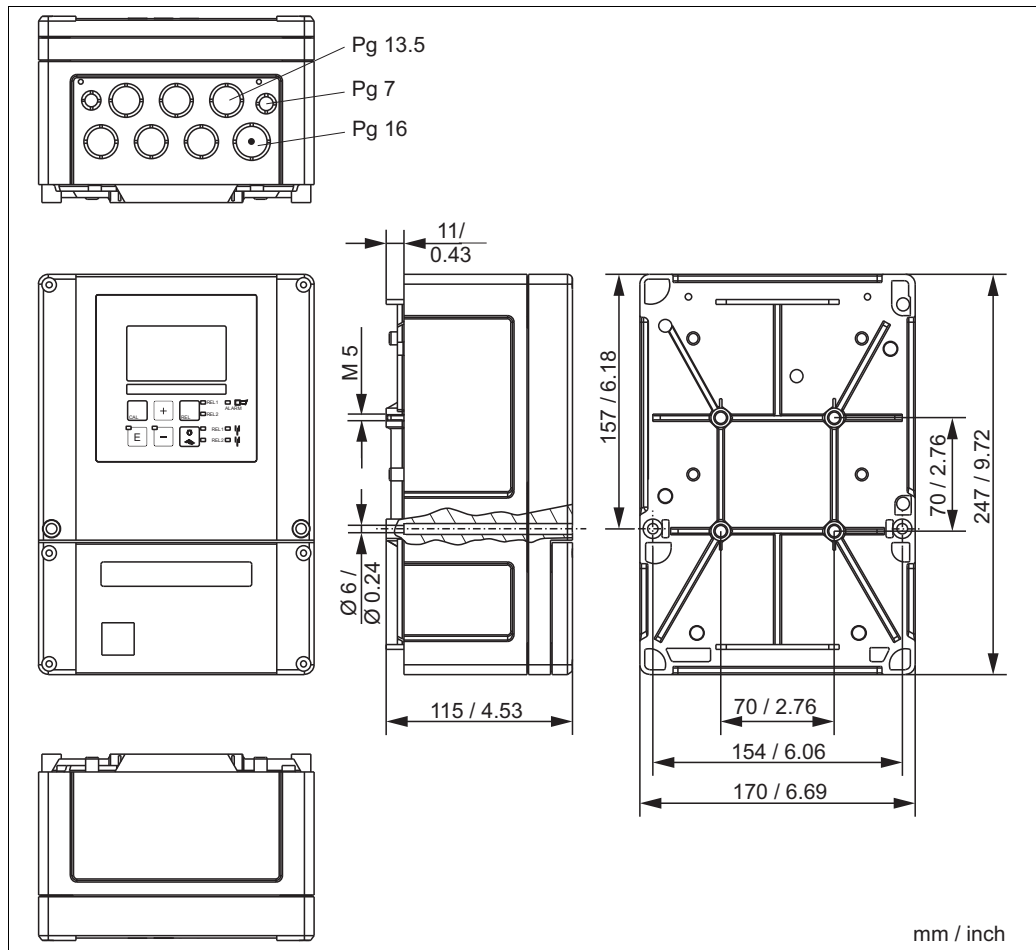
Performance characteristics

Reference temperature	25 °C (77 °F)	
Resolution	pH:	0.01 pH
	ORP:	1 mV/0.1 %
	Temperature:	0.1 °C
Maximum measured error¹⁾	Display	
	pH:	max. 0.5 % of measuring range
	ORP:	max. 0.5 % of measuring range
	Temperature:	max. 1.0 % of measuring range
	Signal output	
	pH:	max. 0.75 % of measuring range
	ORP:	max. 0.75 % of measuring range
	Temperature:	max. 1.25 % of measuring range
Repeatability¹⁾	pH:	max. 0.2 % of measuring range
	ORP:	max. 0.2 % of measuring range
Zero point	Glass:	pH 5.0 to 9.0 (nominal pH 7.00)
	Antimon:	pH -1.0 to 3.0 (nominal pH 1.00)
	ISFET:	-500 to +500 mV
Slope	Glass:	38.00 to 65.00 mV/pH (nominal 59.16 mV/pH)
	Antimon:	25.00 to 65.00 mV/pH (nominal 59.16 mV/pH)
	ISFET:	38.00 to 65.00 mV/pH (nominal 59.16 mV/pH)
Offset	pH:	±2 pH
	ORP:	±120 mV/±50 %
	Temperature:	±5 °C

1) acc. to IEC 746-1, for nominal operating conditions

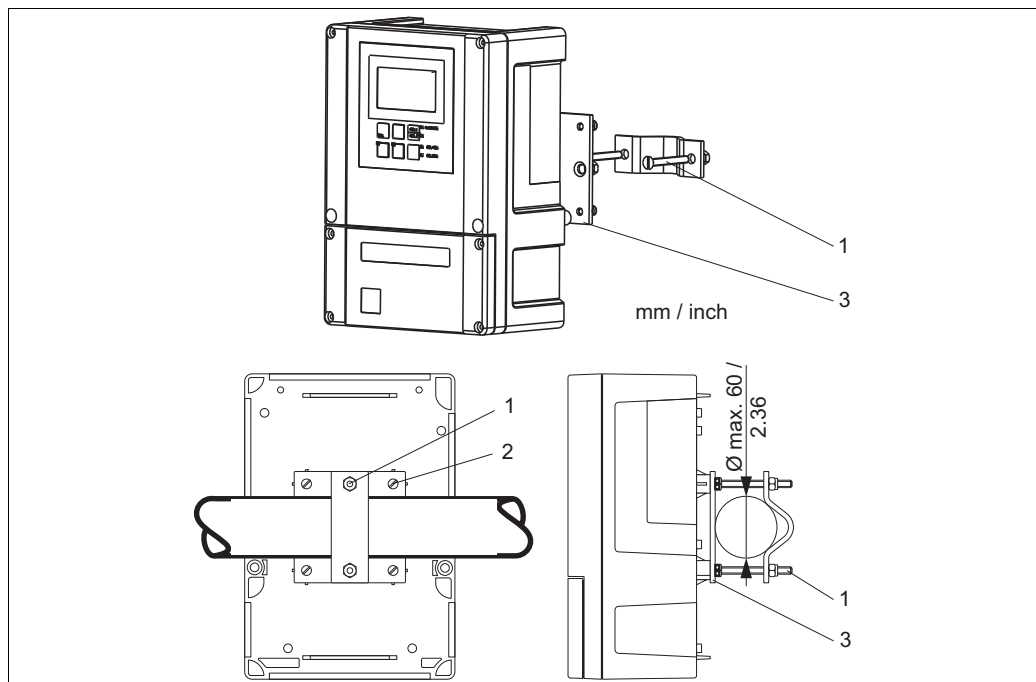
Installation

Installation instructions



40005733

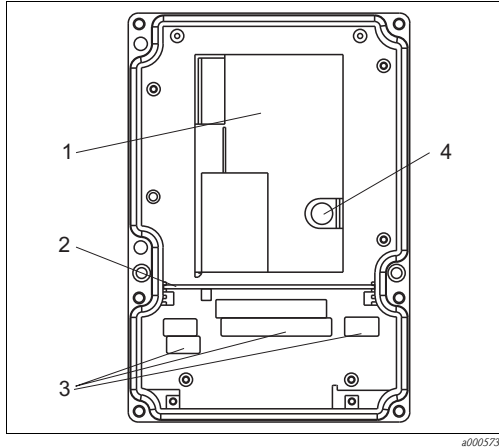
Field instrument



40005737

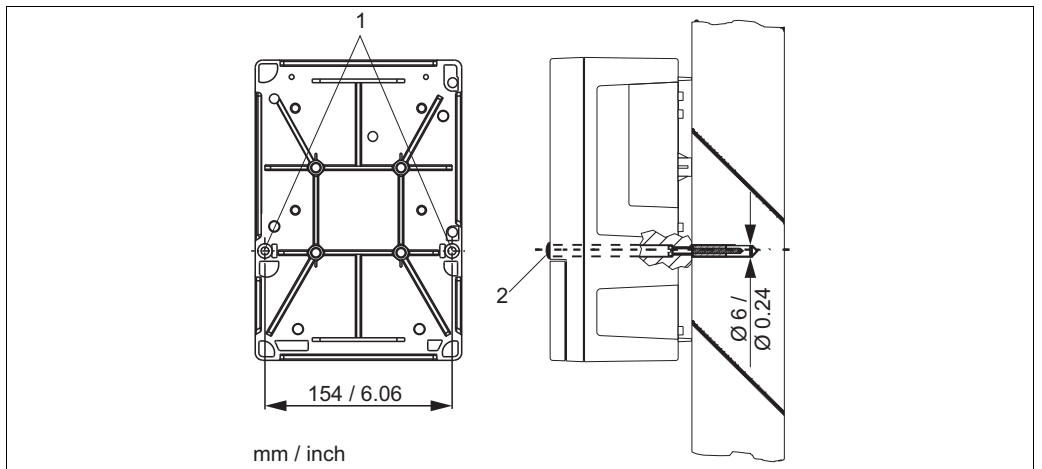
Mounting on pipes

1 - 3 Mounting screws and mounting plate



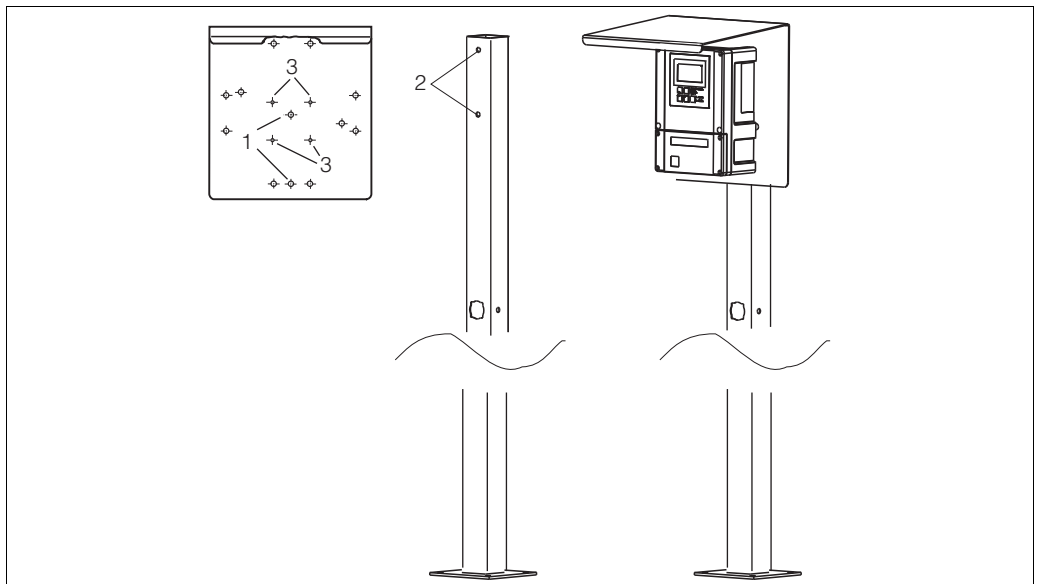
- 1 Removable electronics box
- 2 Partition plate
- 3 Terminal blocks
- 4 Fuse

View into the field instrument



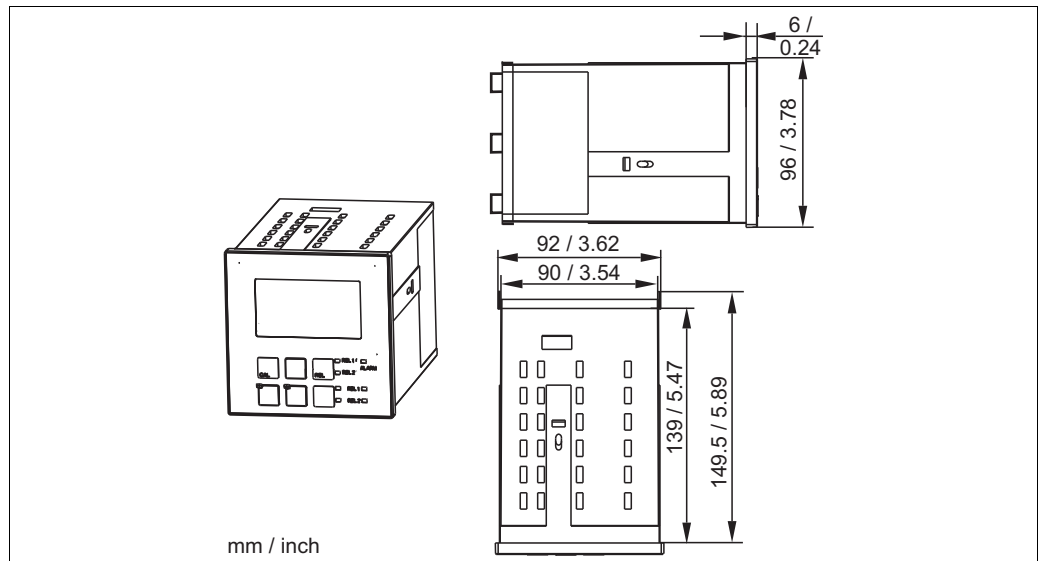
Wall mounting of the field instrument

- 1 Mounting holes
- 2 Protecting cap



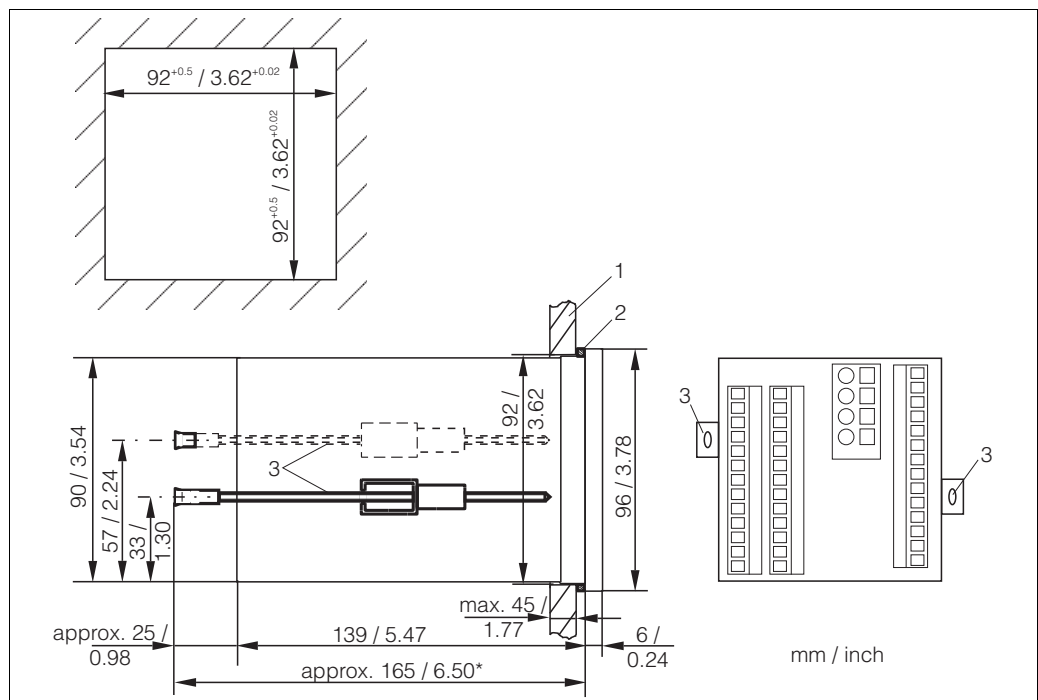
Mounting of the field instrument with mounting post and weather protection cover

- 1 - 3 Mounting holes



Dimensions panel-mounted instrument

40005735



Installation of the panel-mounted instrument

- 1 Wall of control cabinet
- 2 Gasket
- 3 Tensioning screws
- * Required installation depth

40005739

Environment

Ambient temperature	-10 to +55 °C (+14 to +131 °F)	
Storage temperature	-25 to +65 °C (-13 to +149 °F)	
Electromagnetic compatibility	Interference emission and interference immunity as per EN 61326-1:2006, EN 61326-2-3:2006	
Ingress protection	Panel mounted instrument: Field instrument:	IP 54 (front), IP 30 (housing) IP 65 / tightness acc. to NEMA 4X
Electrical safety	according EN/IEC 61010-1:2001, Installation Category II, for use up to 2000 m above sea level	
CSA	Apparatus with CSA General Purpose Approval are certified for indoor use.	
Relative humidity	10 to 95%, non-condensing	
Pollution degree	The product is suitable for pollution degree 2.	

Mechanical construction

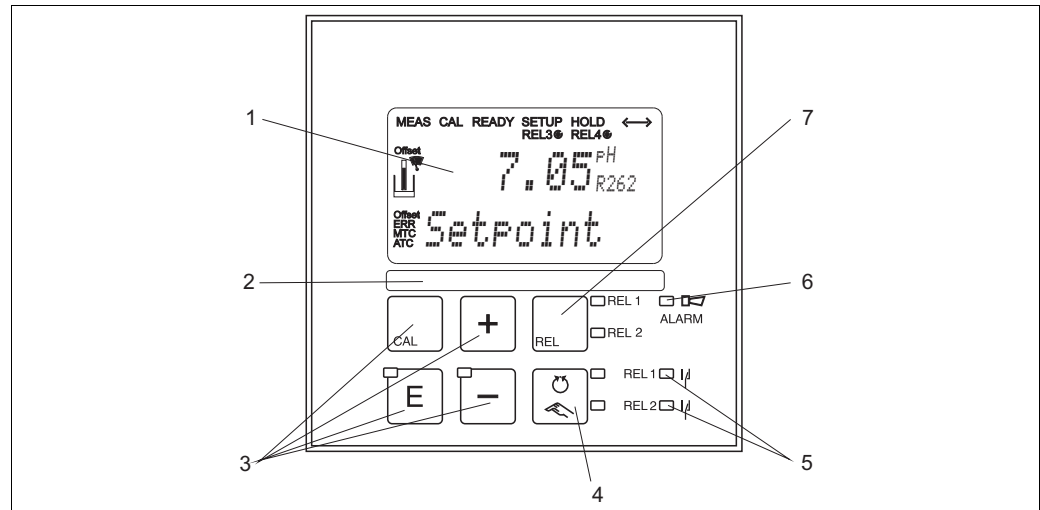
Dimensions	Panel mounted instrument: Field instrument:	96 x 96 x 145 mm (3.78 x 3.78 x 5.71 inches) Mounting depth: approx. 165 mm (6.50") 247 x 170 x 115 mm (9.72 x 6.69 x 4.53 inches)
Weight	Panel mounted instrument: Field instrument:	max. 0.7 kg (1.5 lb) max. 2.3 kg (5.1 lb)
Materials	Housing of panel mounted instrument: Field housing: Front membrane:	Polycarbonate ABS PC FR Polyester, UV-resistant
Terminals	Cross section	2.5 mm ² (14 AWG)

Operability

Operating concept

All instrument control functions are arranged in a logical menu structure. Following access code entry, the individual parameters can be easily selected and modified as needed.

Display elements



Operating elements

- 1 LC display for display of measured values, configuration data and current menu field
- 2 Field for user labeling
- 3 4 main control keys for calibration and instrument configuration
- 4 Key for switching between automatic/manual operation
- 5 LED indicators for switched limit outputs
- 6 LED indicator for alarm function
- 7 Display of active contact and key for relay switching in manual mode

The display simultaneously shows the current measured value and the temperature - the essential process data. Brief information texts in the configuration menu provide assistance with parameter configuration.

Certificates and approvals

CE symbol

Declaration of conformity

The product meets the requirements of the harmonized European standards. It thus complies with the legal requirements of the EC directives.

The manufacturer confirms successful testing of the product by affixing the CE symbol.

Ex approval for zone 2

Application of transmitter as related electrical equipment in non-hazardous area or in simple pressurized apparatus; application of sensor in hazardous area zone 2

C.M2.3-..4...

ATEX II (3)G (Ex nL) IIC

C.M223-..6...

C.M253-..A...

CSA general purpose

C.M2.3-..2...

C.M2.3-..3...

C.M2.3-..7...

Ordering information

Product structure

		Sensor input, software	
IS		pH (glass/ISFET) / ORP; Plus package	
MR		pH (digital sensor); pH (glass/ISFET)/ORP; basic version	
MS		pH (digital sensor); pH (glass/ISFET)/ORP; Plus package	
PR		pH (glass)/ORP; basic version	
PS		pH (glass)/ORP; Plus package	
		Power supply, approval	
A		24 V AC/DC; ATEX II (3)G [Ex nL] IIC (CPM253 only)	
0		230 V AC	
1		115 V AC	
2		230 V AC; CSA Gen. Purp.	
3		115 V AC; CSA Gen. Purp.	
4		230 V AC; ATEX II (3)G [Ex nL] IIC	
5		100 V AC	
6		24 V AC/DC; ATEX II (3)G [Ex nL] IIC (CPM223 only)	
7		24 V AC; CSA Gen. Purp.	
8		24 V AC/DC	
		Output	
0		1 x 20 mA, primary value	
1		2 x 20 mA, primary value + secondary value	
3		PROFIBUS PA	
4		PROFIBUS DP	
5		1 x 20 mA, primary value, HART	
6		2 x 20 mA, primary value, HART + secondary value	
		Additional contacts	
05		not selected	
10		2 relays (limit/P(ID)/timer)	
15		4 relays (limit/P(ID)/Chemoclean) (not with PROFIBUS DP)	
16		4 relays (limit/P(ID)/timer) (not with PROFIBUS DP)	
20		1 x 4 ... 20 mA input + 2 relays (limit/P(ID)/timer)	
25		1 x 4 ... 20 mA input + 4 relays (limit/P(ID)/Chemoclean) (not with PROFIBUS DP)	
26		1 x 4 ... 20 mA input + 4 relays (limit/P(ID)/timer) (not with PROFIBUS DP)	
		Additional features (CPM223 only)	
PRL		Protective layer	
		Marking	
1		Tagging (Tag), see additional spec.	
CPM253-			
			complete order code
CPM223-			

Additional functions of the Plus package

- Current output table to cover large areas with varying resolution
- Monitoring of sensor and process for safe operation
- Neutralization controller to keep pH value constant by dosing acid and alkali
- Automatic cleaning function start²⁾

2) In combination with "Additional contacts" only, see product structure

Scope of delivery

The delivery of the field instrument includes:

- 1 transmitter CPM253
- 1 plug-in screw terminal
- 1 cable gland Pg 7
- 1 cable gland Pg 16 reduced
- 2 cable glands Pg 13.5
- 1 Operating Instructions BA194C/07/EN
- versions with HART communication:
 - 1 Operating Instructions Field Communication with HART, BA208C/07/EN
- versions with PROFIBUS communication:
 - 1 Operating Instructions Field Communication with PROFIBUS PA/DP, BA209C/07/EN
- versions with explosion protection for hazardous area zone II (ATEX II 3G):
 - Safety Instructions for use in explosion-hazardous areas, XA194C/07/A3

The delivery of the panel mounted instrument includes:

- 1 transmitter CPM223
- 1 set of plug-in screw terminals
- 2 tensioning screws
- 1 BNC-plug (solder-free)
- 1 Operating Instructions BA194C/07/EN
- versions with HART communication:
 - 1 Operating Instructions Field Communication with HART, BA208C/07/EN
- versions with PROFIBUS communication:
 - 1 Operating Instructions Field Communication with PROFIBUS PA/DP, BA209C/07/EN
- versions with explosion protection for hazardous area zone II (ATEX II 3G):
 - Safety Instructions for use in explosion-hazardous areas, XA194C/07/A3

Accessories

Sensors**Glass sensors**

Orbisint CPS11/CPS11D

- pH sensor for process applications
- Optional SIL version for connection to SIL approved transmitters
- With dirt-repellent PTFE diaphragm
- Ordering acc. to product structure, see Technical Information (TI028C/07/en)

Orbisint CPS12/CPS12D

- ORP electrode for process applications
- With dirt-repellent PTFE diaphragm
- Ordering acc. to product structure, see Technical Information (TI367C/07/en)

Ceraliquid CPS41/CPS41D

- pH sensor
- With ceramics diaphragm and liquid KCl electrolyte
- Ordering acc. to product structure, see Technical Information (TI079C/07/en)

Ceraliquid CPS42/CPS42D

- ORP electrode
- With ceramics diaphragm and liquid KCl electrolyte
- Ordering acc. to product structure, see Technical Information (TI373C/07/en)

Ceragel CPS71/CPS71D

- pH sensor
- With double chamber reference system and integrated bridge electrolyte
- Ordering acc. to product structure, see Technical Information (TI245C/07/en)

Ceragel CPS72/CPS72D

- ORP electrode
- With double chamber reference system and integrated bridge electrolyte
- Ordering acc. to product structure, see Technical Information (TI374C/07/en)

Orbipore CPS91/CPS91D

- pH sensor
- With open aperture for media with high dirt load
- Ordering acc. to product structure, see Technical Information (TI375C/07/en)

Orbipore CPS92/CPS92D

- ORP sensor
- With open aperture for media with high dirt load
- Ordering acc. to product structure, see Technical Information (TI435C/07/en)

ISFET sensors

Tophit CPS471

- Sterilizable and autoclavable ISFET sensor
- For food and pharmaceuticals, process technology, water treatment and biotechnology;
- Ordering acc. to product structure, see Technical Information (TI283C/07/en)

Tophit CPS441

- Sterilizable ISFET sensor for media with low conductivity
- With liquid KCl electrolyte
- Ordering acc. to product structure, see Technical Information (TI352C/07/en)

Tophit CPS491

- ISFET sensor with open aperture for media with high dirt load
- Ordering acc. to product structure, see Technical Information (TI377C/07/en)

Connection accessories

CPK9 special measuring cable

- For sensors with TOP68 plug-in head, for high-temperature and high-pressure applications, IP 68
- Ordering acc. to product structure, see Technical Information (TI118C/07/en)

CPK1 special measuring cable

- For pH/ORP electrodes with GSA plug-in head
- Ordering acc. to product structure, see Technical Information (TI118C/07/en)

CPK2 special measuring cable

- For pH/ORP electrodes with GSA plug-in head, with three sensor plugs
- Ordering acc. to product structure, see Technical Information (TI118C/07/en)

CPK12 special measuring cable

- For pH/ORP glass electrodes and ISFET sensors with TOP68 plug-in head
- Ordering acc. to product structure, see Technical Information (TI118C/07/en)

CYK10 Data cable for digital sensors

- For digital pH sensors with Memosens technology
- Ordering according to product structure, see below

		Certificates	
	A	Standard, non Ex	
	G	ATEX II 1G EEx ia IIC T6/T4	
	O	FM CLI Div. 1 AEx ia IIC T6/T4	
	S	CSA IS CLI Ex ia IIC T6/T4	
		Cable length	
	03	Cable length: 3 m / 9.84 ft	
	05	Cable length: 5 m / 16.41 ft	
	10	Cable length: 10 m / 32.81 ft	
	15	Cable length: 15 m / 49.22 ft	
	20	Cable length: 20 m / 65.62 ft	
	25	Cable length: 25 m / 82.03 ft	
	88	... m length	
	89	... ft length	
		Ready-made	
	1	Wire terminals	
CYK10-			complete order code

CYK81 measuring cable

- Non-terminated measuring cable for extension of sensor cables of e.g. Memosens sensors, CUS31/CUS41
- 2 wires, twisted pair with shield and PVC-sheath ($2 \times 2 \times 0.5 \text{ mm}^2 + \text{shield}$)
- Sold by the meter, order no.: 51502543

Junction box VBM

- For cable extension
- 10 terminals
- Cable entries: 2 x Pg 13.5 or 2 x NPT 1/2"
- Material: aluminum
- Ingress protection: IP 65 (\cong NEMA 4X)
- Order numbers:
 - cable entries Pg 13.5: 50003987
 - cable entries NPT 1/2": 51500177

Junction box VBA

- For cable extension of pH/ORP sensors
- 10 terminals, protection class: IP 65 (\cong NEMA 4X)
- Cable entries: 2 x Pg 13.5, 2 x Pg 16
- Material: polycarbonate
- Order no.: 50005276

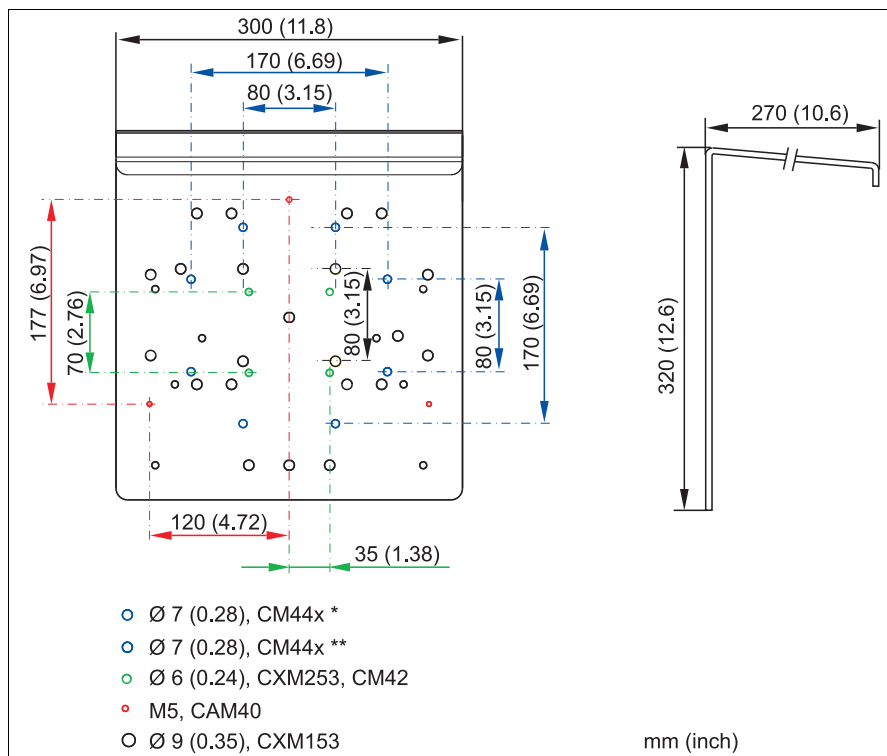
Junction box RM

- For cable extension (e.g. for Memosens sensors)
- 5 terminals
- Cable entries: 2 x Pg 13.5
- Material: PC
- Ingress protection: IP 65
- Order no.: 51500832

Mounting accessories

CYY101 weather protection cover for field devices, absolutely essential if operating the unit outdoors

- Material: stainless steel 1.4031 (AISI 304)
- Order No. CYY101-A

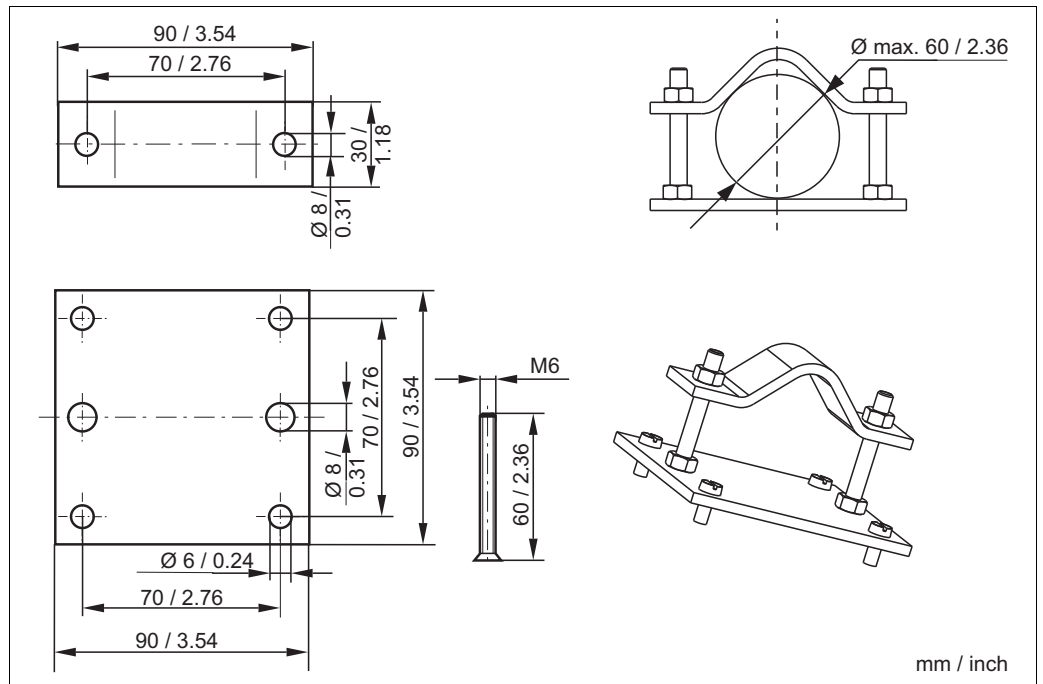


Weather protection cover for field devices

- * Wall and post mounting
- ** Rail mounting

Post mounting kit

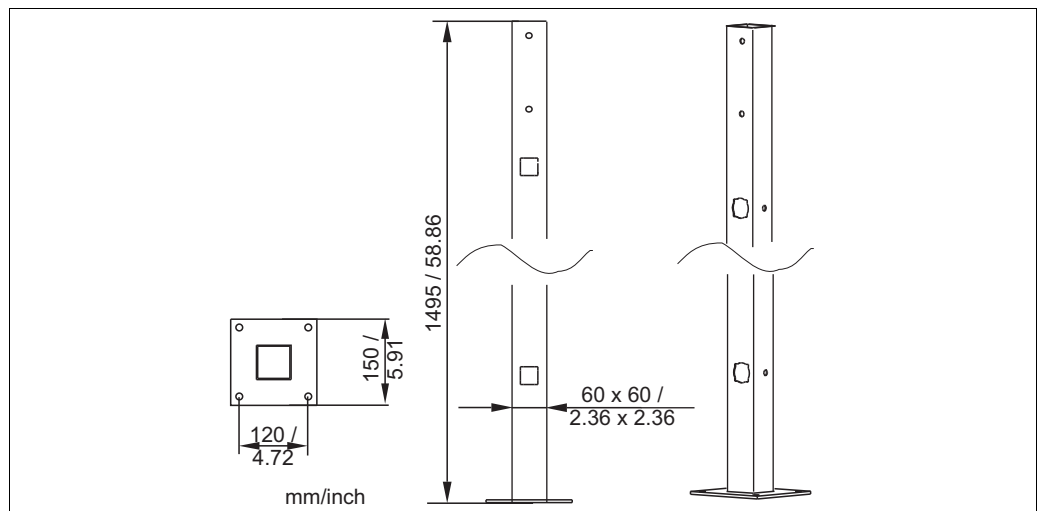
- For mounting of field housing on horizontal or vertical pipes (Ø max. 60 mm (2.36"))
- Material: stainless steel 1.4301
- order no. 50086842



Post mounting kit

CYY102 universal post

- Square pipe for mounting transmitters
- Material: stainless steel 1.4301 (AISI 304)
- Order No. CYY102-A



Universal post

Buffer solutions*High-quality buffer solutions of Endress+Hauser - CPY20*

The secondary buffer solutions have been referenced to primary reference material of the PTB (German Federal Physico-technical Institute) and to standard reference material of NIST (National Institute of Standards and Technology) according to DIN 19266 by a DKD (German Calibration Service) accredited laboratory.

pH value	
A	pH 2.00 (accuracy ± 0.02 pH)
C	pH 4.00 (accuracy ± 0.02 pH)
E	pH 7.00 (accuracy ± 0.02 pH)
G	pH 9.00 (accuracy ± 0.02 pH)
I	pH 9.20 (accuracy ± 0.02 pH)
K	pH 10.00 (accuracy ± 0.05 pH)
M	pH 12.00 (accuracy ± 0.05 pH)

Quantity	
01	20 x 18 ml (0.68 fl.oz) only buffer solutions pH 4.00 and 7.00
02	250 ml (8.45 fl.oz)
10	1000 ml (0.26 US gal)
50	5000 ml (1.32 US gal) canister for Topcal S

Certificates	
A	Buffer analysis certificate

Version	
1	Standard

CPY20-					complete order code
--------	--	--	--	--	---------------------

Technical buffer solutions for ORP electrodes

- +220 mV, pH 7.0, 100 ml (3.4 fl.oz.); order no. CPY3-0
- +468 mV, pH 0.1, 100 ml (3.4 fl.oz.); order no. CPY3-1

KCl-electrolyte solutions for liquid filled electrodes

- 3.0 mol, T = -10 ... 100 °C (14 ... 212 °F), 100 ml (3.4 fl.oz.), order no. CPY4-1
- 3.0 mol, T = -10 ... 100 °C (14 ... 212 °F), 1000 ml (34 fl.oz.), order no. CPY4-2
- 1.5 mol, T = -30 ... 100 °C (-22 ... 266 °F), 100 ml (3.4 fl.oz.), order no. CPY4-3
- 1.5 mol, T = -30 ... 100 °C (-22 ... 266 °F), 1000 ml (34 fl.oz.), order no. CPY4-4

Optoscope

Optoscope

- Interface between transmitter and PC / laptop for service purposes.
- The Windows software "Scopeware" required for the PC or laptop is supplied with the Optoscope. The Optoscope is supplied in a sturdy plastic case with all the accessories required.
- Order no. 51500650

Instruments International

Endress+Hauser
Instruments International AG
Kaegenstrasse 2
4153 Reinach
Switzerland

Tel.+41 61 715 81 00
Fax+41 61 715 25 00
www.endress.com
info@ii.endress.com

Endress+Hauser 
People for Process Automation