



Data Sheet

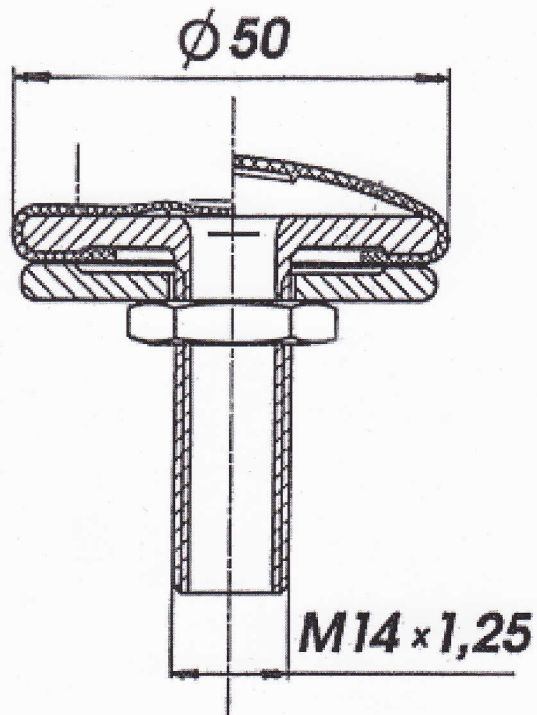
Coarse Bubble Diffuser

EPDM



Specifications

Sketch PG50 (2")



Dimensions

Total Height	Total Diameter	Perforated area	Orifice	Thread
[mm]	[mm]	[m ²]	[mm]	
47	50	0,001	10	M14x1,25

Air flow

Air flow rates at standard operation conditions	Max. overload/maintenance air flow rate	Operating temperature	Recommended quantity	Application
[m ³ /h]	[m ³ /h]	[°C]	[pcs/m ²]	
0 - 4	8	5 - 80	4	Mixing of waste water

Connectors to header pipe

Type	Material
External thread with Tight seal rubber connector	PP/EPDM

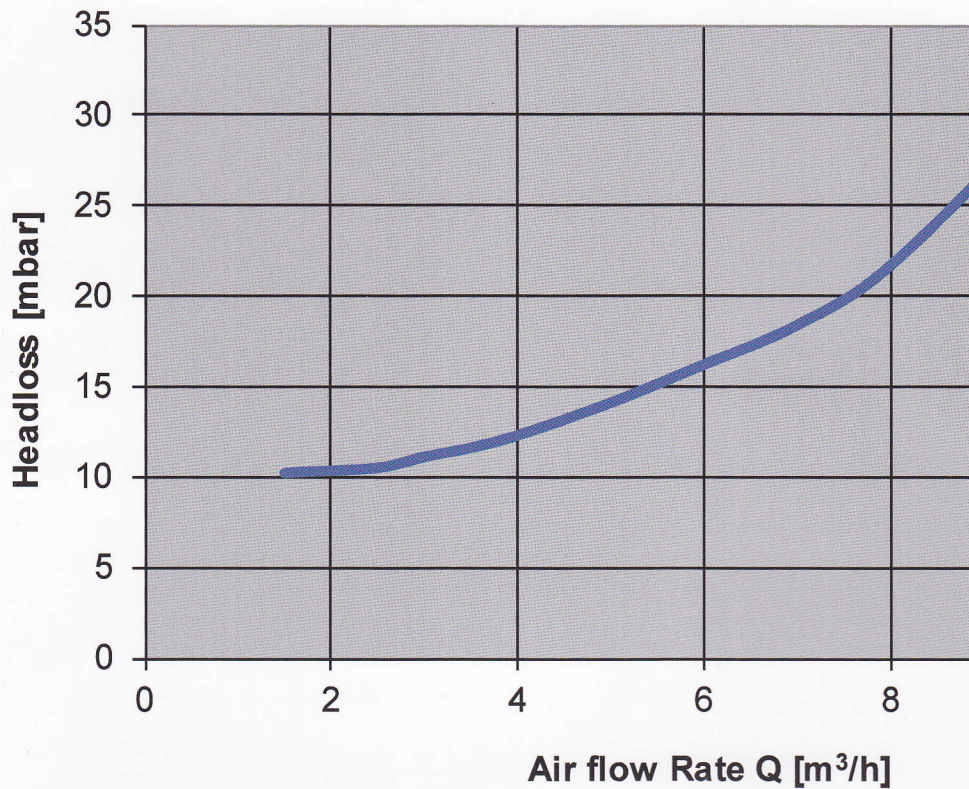
Rubber Material

Type	EPDM
Colour	Black
Thickness	1 mm

Plastic Part

PP GF 30	White
----------	-------

Head Loss for PG50



Specifications

Model ADD 80 (3")



Dimensions

Total Height	Total Diameter	Perforated area	Weight	Thread	Air Flow Rate
[mm]	[mm]	[m ²]	[kg]		[m ³ /h]
46	80	0,002	0.04	$\frac{3}{4}$ inch	2 - 25

Jäger Umwelt-technik GmbH & Co. KG



Jaeger Rubber and Plastics (Shenzhen) Ltd.

CÔNG TY CỔ PHẦN CÔNG NGHIỆP TIẾN HƯNG

TRUNG TÂM PHÂN PHỐI VÀ BẢO HÀNH

VPĐD: 62D/23 Nguyễn Hồng, P.11, Q.Bình Thạnh, TP.HCM, Việt Nam

Tel: (84-8) 36008213 - Fax: (84-8) 35167178

Website: www.thucorp.com | Email: tienhung@thucorp.com